

System configuration

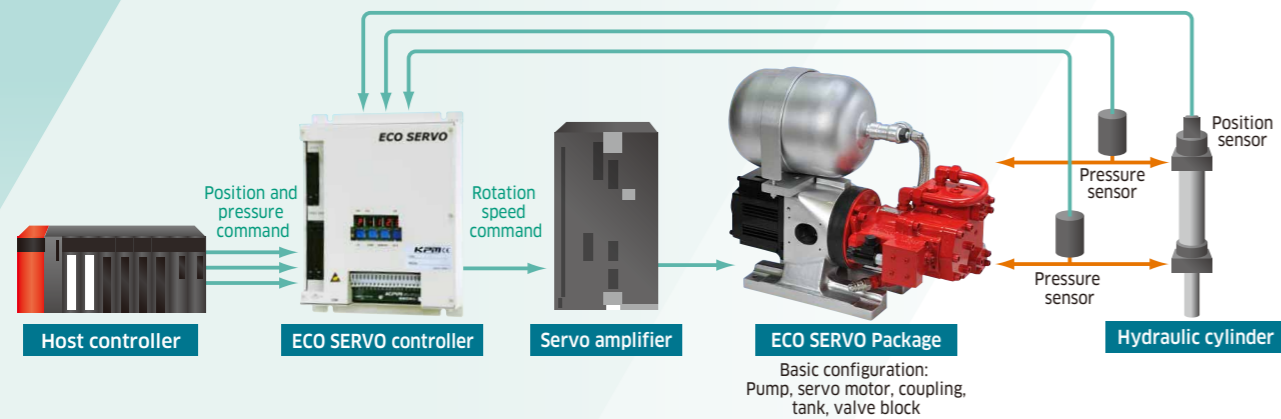
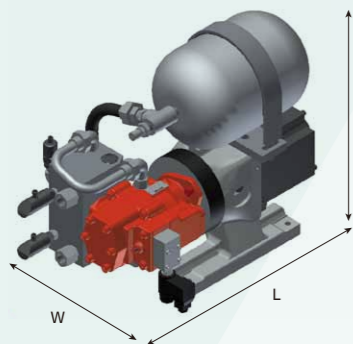
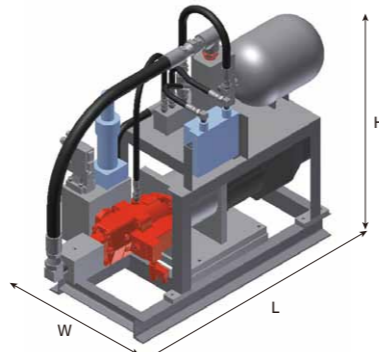


Table of reference dimensions



Standard

Pump displacement (cc/rev)	L (mm)	W (mm)	H (mm)	Mass (kg)
45	1,010	530	610	280
80	1,260	610	750	350



Full option
(with filter and cooler)

Pump displacement (cc/rev)	L (mm)	W (mm)	H (mm)	Mass (kg)
45	1,500	840	1,360	570
80	1,660	840	1,360	600

Optional equipment

Name of optional item	Major application	Selection method and precaution
Hydraulic controller	Calculates pump rotation speed with respect to position, speed and pressure commands, and outputs speed command to the motor driver.	We have 2 types of hydraulic controllers: for position and pressure control and for pressure and flow rate control. Select one according to the system.
Oil cooler	Cools oil to prevent from rising above a constant temperature in order to prevent the equipment from having deterioration in function and efficiency.	Use when oil temperature becomes 60°C or above.
Line filter	Removes impurities from oil in order to prevent the damages and malfunction of hydraulic equipment.	Use if there is a possibility that dust will mix in oil.
Oil feeding pump	It is used to feed oil into the tank.	It can easily supply the tank with oil.

*Please contact us separately for the choice of specific model of optional equipment.

Precautions for use

- Be sure to install it in a horizontal direction.
- Select an actuator within the range of acceptable variation in oil level of the tank.
- The initial oil feeding into the sealed pressurizing tank shall be at 0.1 MPa.
- Check tank pressure periodically.
- Select a capacity based on the assumed operation cycle. Please contact us for optional equipment.

The information described in this catalog is subject to revision or change for modification without notice.

Kawasaki Heavy Industries, Ltd.

Precision Machinery Company
http://www.khi.co.jp/kpm/

Tokyo Head Office
1-14-5 Kaigan, Minato-ku, Tokyo 105-8315, Japan
Tel: +81-3-3435-6862 Fax: +81-3-3435-2023

Kobe Head Office
Kobe Crystal Tower, 1-3 Higashikawasaki-cho 1-chome,
Chuo-ku, Kobe 650-8680, Japan
Tel: +81-78-360-8607 Fax: +81-78-360-8609

Nishi-kobe Works
234, Matsumoto, Hasetani-cho, Nishi-ku, Kobe 651-2239, Japan
Tel: +81-78-991-1160 Fax: +81-78-991-3186

OVERSEAS SUBSIDIARIES

Kawasaki Precision Machinery (UK) Ltd.
Ernesettle Lane, Ernesettle, Plymouth, Devon, PL5 2SA United Kingdom
Tel: +44-1752-364394 Fax: +44-1752-364816
http://www.kpm-eu.com

Kawasaki Precision Machinery (U.S.A.), Inc.
3838 Broadmoor Avenue S.E. Grand Rapids, Michigan 49512, U.S.A.
Tel: +1-616-975-3100 Fax: +1-616-975-3103
http://www.kpm-usa.com

Kawasaki Precision Machinery (Suzhou) Ltd.
668 JianLin Rd, New District, Suzhou, 215151 China
Tel: +86-512-6616-0365 Fax: +86-512-6616-0366

Kawasaki Precision Machinery Trading (Shanghai) Co., Ltd.
17th Floor (Room 1701), The Headquarters Building, No.168,
Xizang Road (M), Huangpu District, Shanghai, 200001, China
Tel: +86-021-3366-3800 Fax: +86-021-3366-3808

Kawasaki Chunhui Precision Machinery (Zhejiang) Ltd.
No.200 Yasha Road Shangyu Economic Development Zone,
Shangyu, Zhejiang, 312300, China
Tel: +86-575-8215-6999 Fax: +86-575-8215-8699

Flutek, Ltd.
98 Gil 6, Gongdan-Ro, Seongsan-Ku, Changwon-Si,
Kyungnam, 641-370, Korea
Tel: +82-55-210-5900 Fax: +82-55-286-5557

Wipro Kawasaki Precision Machinery Private Limited
No. 15, Sy. No. 35 & 37, Kumbalgodu Industrial Area,
Kumbalgodu Village, Kengeri Hobli, Bangalore, -560074, India

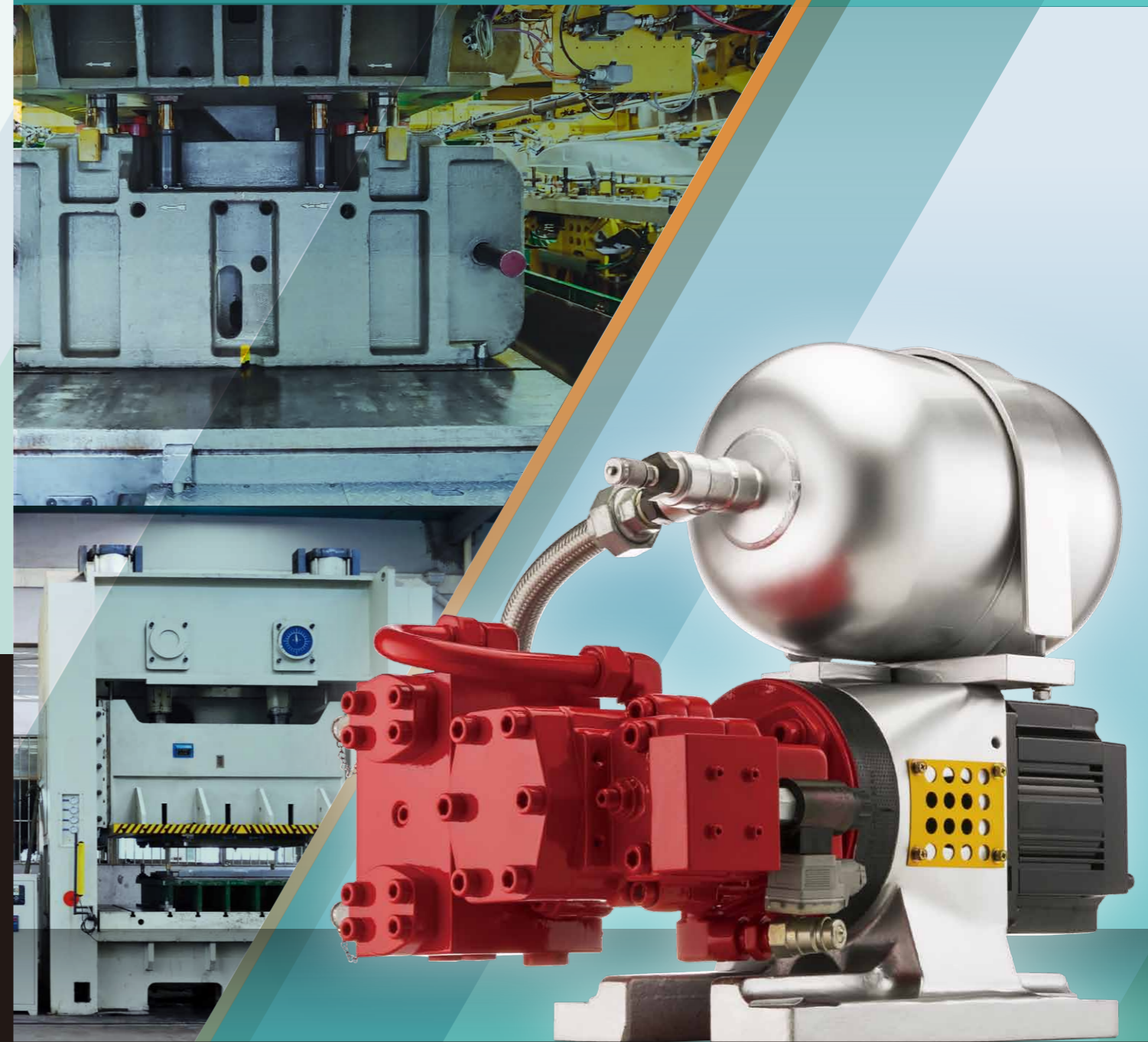


QR code
Precision Machinery
Company Website

Evolution into easier-to-use and more compact ECO SERVO

ECO SERVO Package

Pump, tank, valve block,
all-in-one unit



Pump, tank, valve block, all-in-one unit

ECO SERVO Package

Compact all-in-one unit

Peripheral equipment is integrated compactly in Kawasaki ECO SERVO. Enables immediate operation of efficient system.

Consistent suction with the sealed pressurizing tank; Unsusceptible to any foreign matter from the outside.

Can be installed anywhere. Realizes stable operation under severe environments. Can reduce noises in high-speed operation.

Realizes energy saving and high density. Pump rotation speed control system

High-pressure and highly efficient Kawasaki piston pump K3VL Servo drive of excellent control characteristics realizes energy saving and optimization.

You can choose optional items to your application. Various optional items

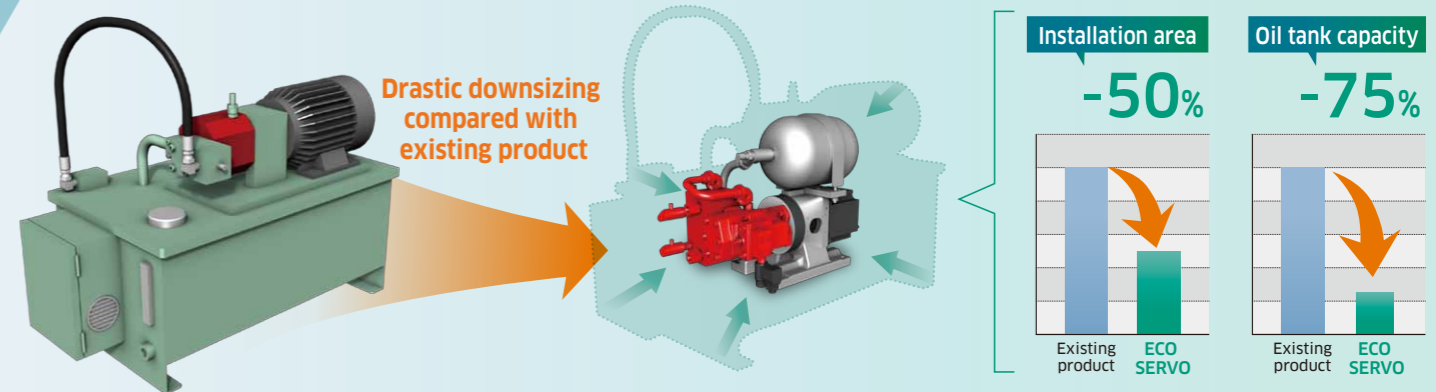
We can provide hydraulic controllers that can allow more advanced control, line filters and oil coolers.

Avoids problems that may arise. Can be mounted with a failure detection sensor.

Can be mounted with a temperature sensor and pressure sensor that can detect unit failures and oil leak. Can keep stable operation.



Comparison with existing product



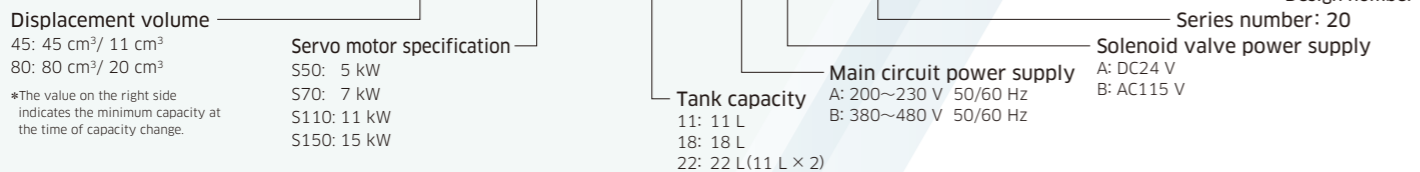
Lineup

Pump displacement	cm ³	45				80							
		5	7	11	15	7	11	15					
Servo motor capacity	kW												
Maximum flow rate*2	L/min	81	20	81	20	81	20	144	36	144	36	144	36
Continuous rated pressure*2	MPa	3.0	12.3	4.2	17.2	8.8	32.0	2.4	9.5	5.0	19.8	6.8	27.0
Short-time maximum pressure*2	MPa	9.0	35.0	12.6	35.0	26.4	35.0	7.1	28.3	14.9	35.0	20.2	35.0
Tank capacity	L	18				22							
Acceptable variation in oil level	L	2.0				2.4							

*1: Please contact us for advice about the combinations of a pump, servo motor and tank other than those indicated above. *2: At large inclination small inclination

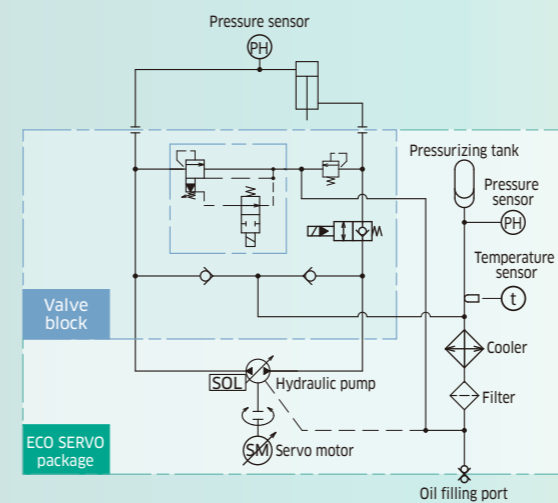
Model indication

KESPC 45 - S50 - 11 - A A - 20 - ***

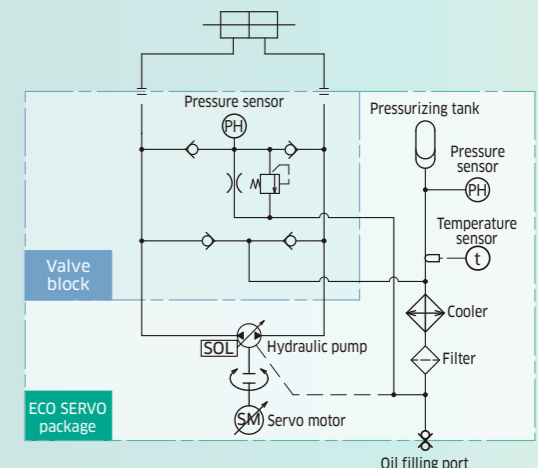


The example of circuit

Downward single rod cylinder



Double rod cylinder



We will design a system to meet customer requirements. *Filters, coolers and sensors are optional items.