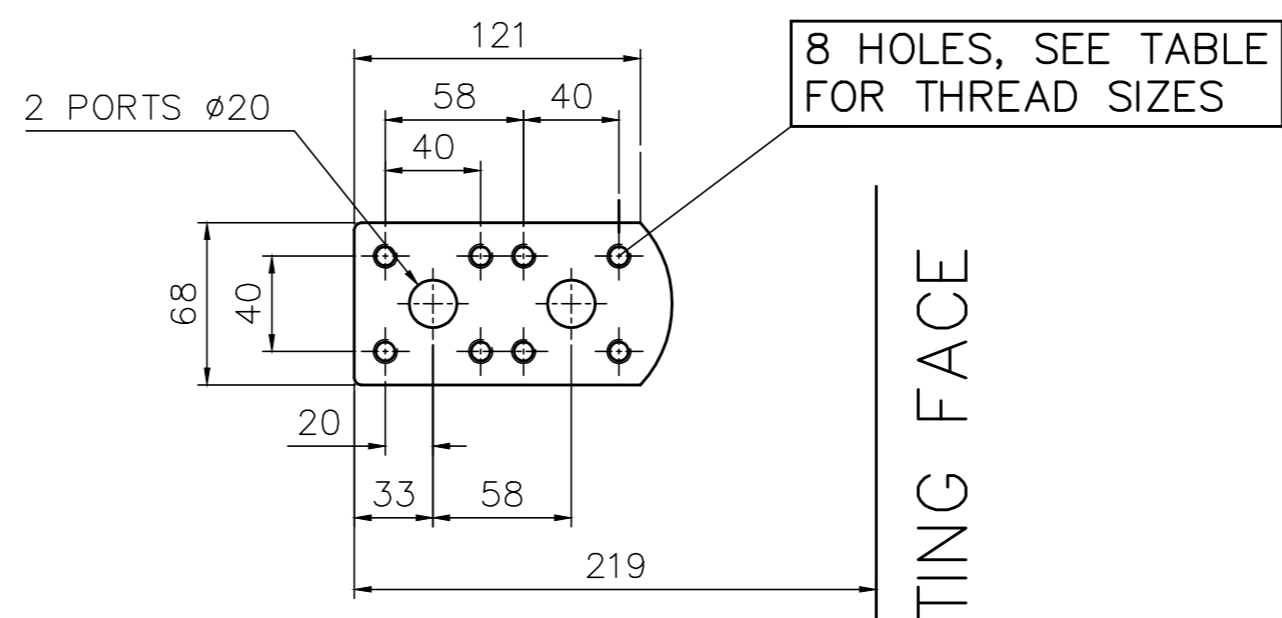
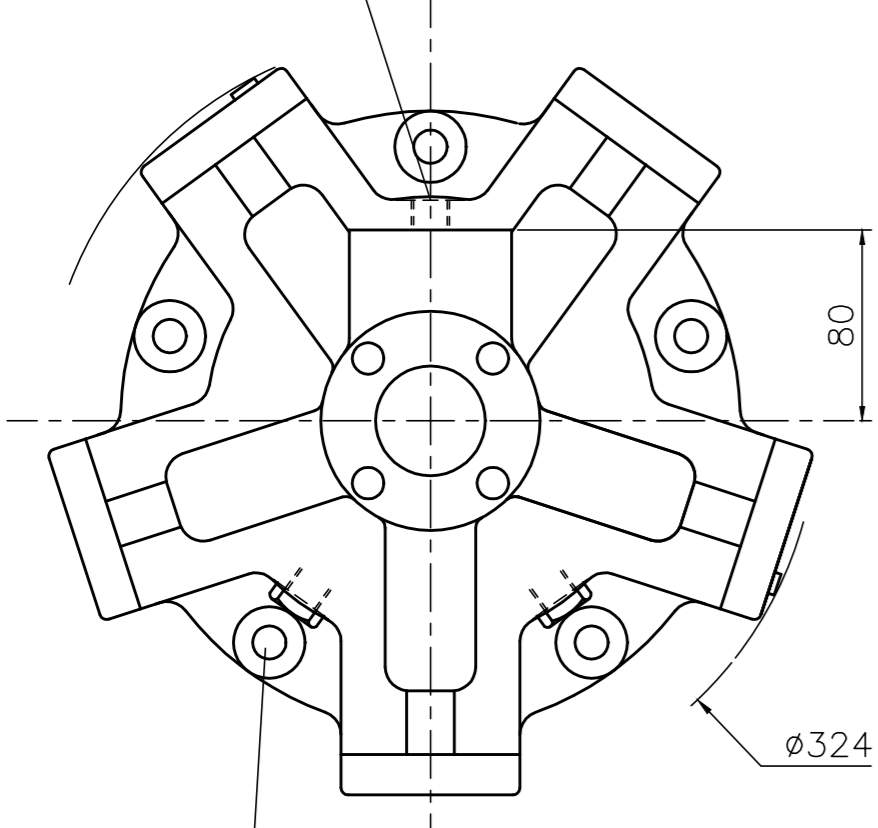
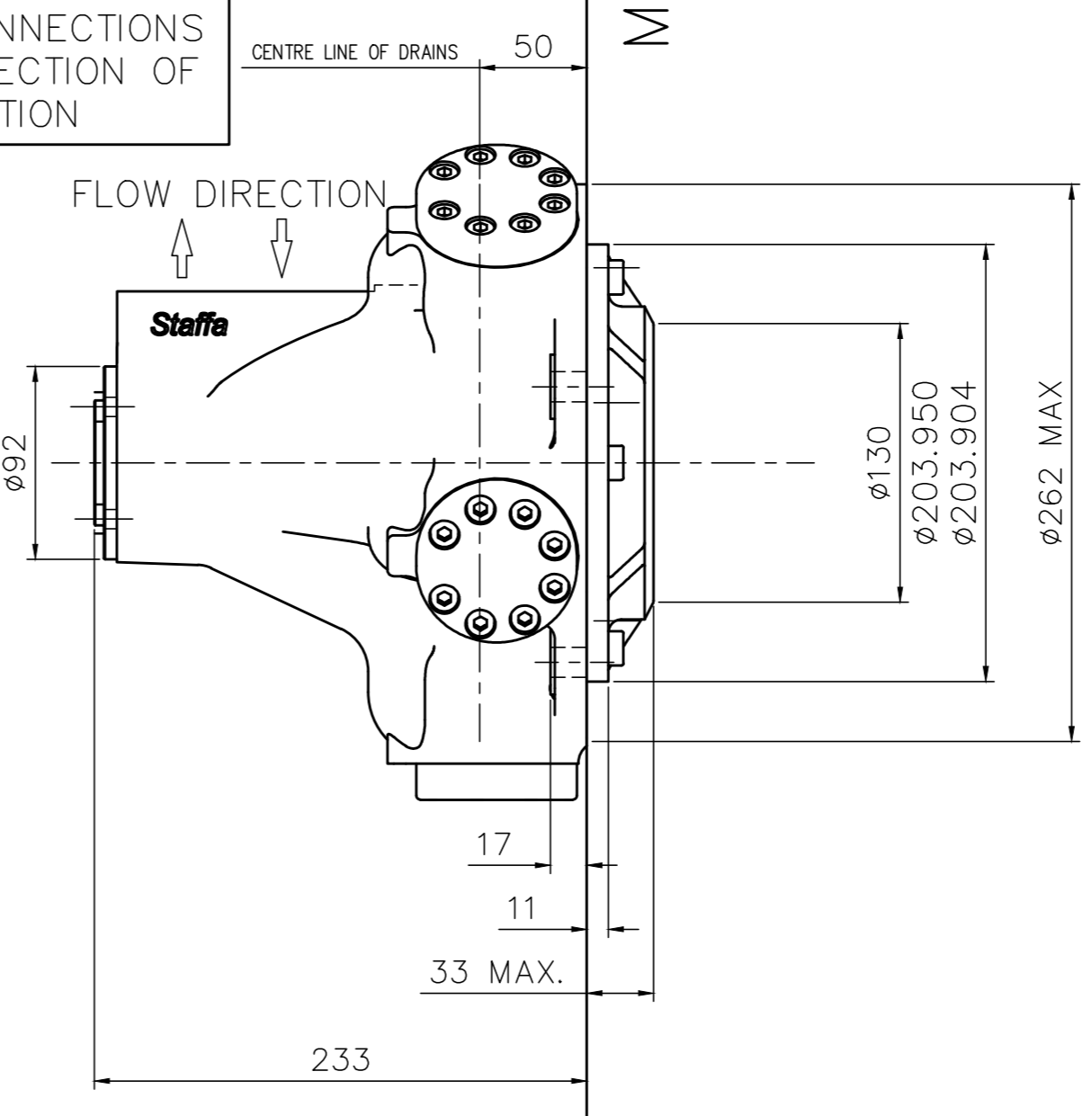


HMB010

3/8" BSP DRAIN (CHOICE OF 3 POSITIONS)
(2 NORMALLY PLUGGED)
NOTE: - ENSURE ON INSTALLATION THAT DRAIN IS
TAKEN FROM ABOVE MOTOR CENTRELINE.
DO NOT EXCEED 12 DEPTH OF COUPLING
IN TO DRAIN PORT



REVERSE PORT CONNECTIONS
FOR OPPOSITE DIRECTION OF
SHAFT ROTATION



SHAFTS

EXAMPLE FOR MODEL CODE -
HMB010/P/11

SPLINE DATA

'S'	
TO BS 3550 (ANSI B92.1 CLASS 5)	
FLAT ROOT SIDE FIT, CLASS 1	
PRESSURE ANGLE	30°
NUMBER OF TEETH	13
PITCH	8/16
MAJOR DIAMETER	43.71/43.59
FORM DIAMETER	38.136
MINOR DIAMETER	37.36/36.91
PIN DIAMETER	6.096
DIAMETER OVER PINS	50.104/50.152

