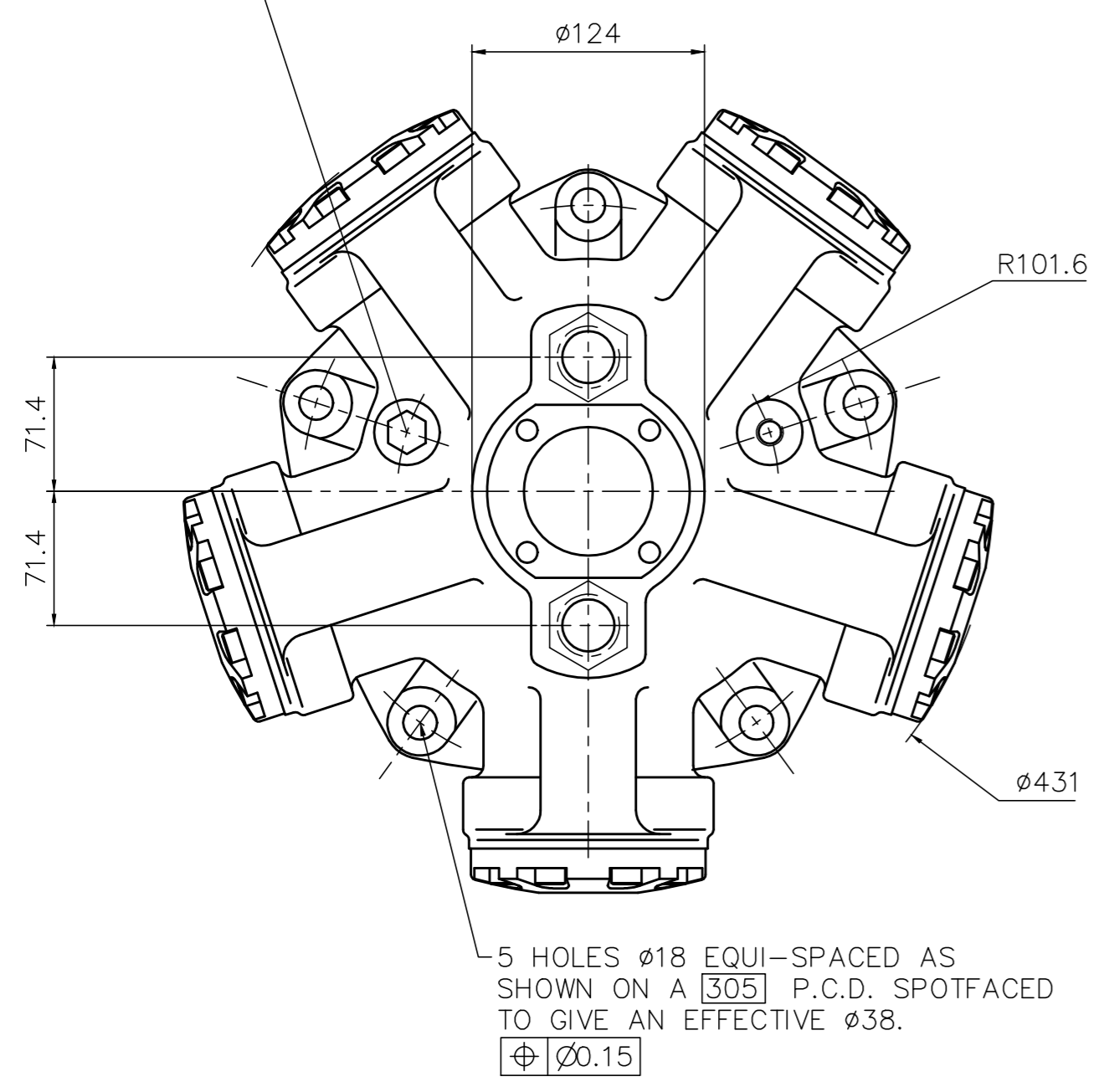


HMB045

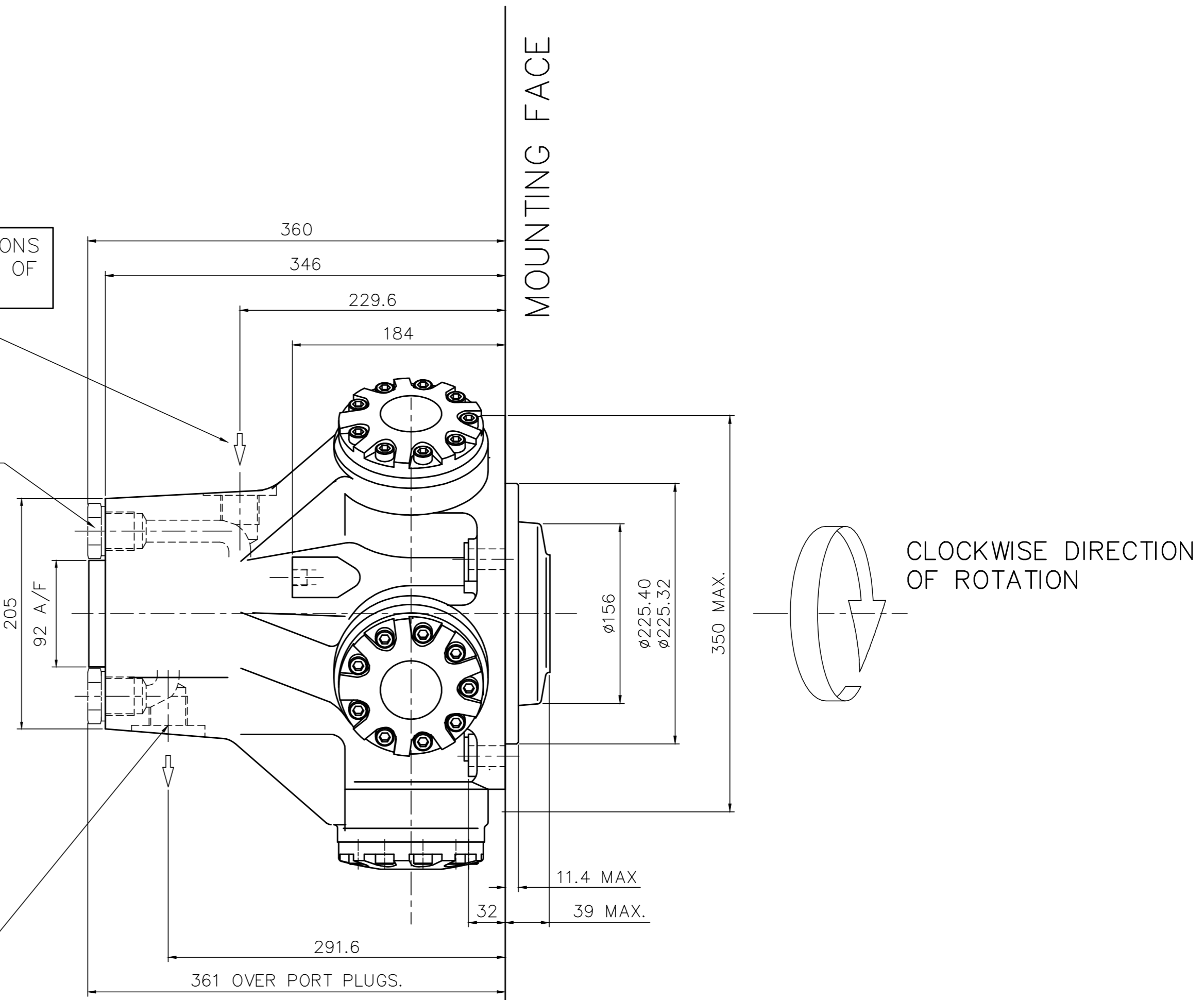
3/8" BSP DRAIN. 19mm DEEP, SPOTFACED $\phi 28$
(CHOICE OF 3 POSITIONS) (1 NORMALLY PLUGGED)
NOTE: - ENSURE ON INSTALLATION THAT DRAIN IS
TAKEN FROM ABOVE MOTOR CENTRELINE.



REVERSE PORT CONNECTIONS
FOR OPPOSITE DIRECTION OF
SHAFT ROTATION

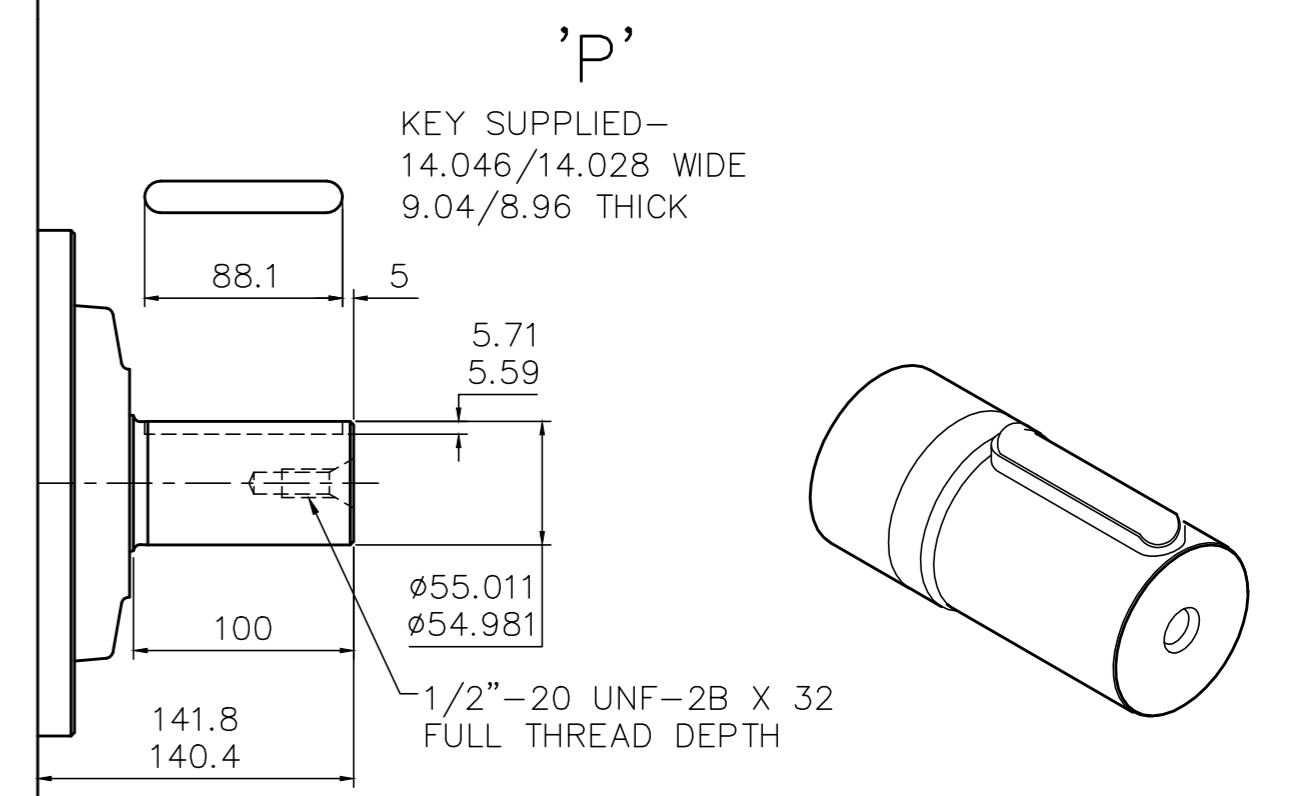
2 PORTS 1" BSP X 25 DEEP.
(DUAL ENTRY MODELS ARE
SUPPLIED WITH THESE REAR
PORTS PLUGGED)

DUAL ENTRY MODELS:
2 SIDE PORTS 1" BSP
x 25 DEEP.
SPOTFACED TO $\phi 63$.



SHAFTS

EXAMPLE FOR MODEL CODE -
HMB045/P/50



SPLINE DATA

| | |
|---------------------------------|---------------|
| 'S' | |
| TO BS 3550 (ANSI B92.1 CLASS 5) | |
| FLAT ROOT SIDE FIT, CLASS 1 | |
| PRESSURE ANGLE | 30° |
| NUMBER OF TEETH | 17 |
| PITCH | 8/16 |
| MAJOR DIAMETER | 56.41/56.29 |
| FORM DIAMETER | 50.703 |
| MINOR DIAMETER | 50.06/49.60 |
| PIN DIAMETER | 6.096 |
| DIAMETER OVER PINS | 62.984/62.931 |

| | |
|----------------------------|--|
| 'Z' | |
| DIN 5480 W55 x 3 x 17 x 7h | |

| | |
|----------------------------|--|
| 'Z2' | |
| DIN 5480 W60 x 3 x 18 x 7h | |

| | |
|----------------------------|---------------|
| 'Q' | |
| INTERNAL SPLINE TO BS 3550 | |
| FLAT ROOT SIDE FIT | |
| PRESSURE ANGLE | 30° |
| NUMBER OF TEETH | 21 |
| PITCH | 12/24 |
| MAJOR DIAMETER | 46.566/46.896 |
| FORM DIAMETER | 46.144 |
| MINOR DIAMETER | 42.334/42.461 |
| PIN DIAMETER | 3.658 |
| PIN FLATTENED TO | 3.556 |
| DIM'N BETWEEN PINS | 39.169/39.103 |

