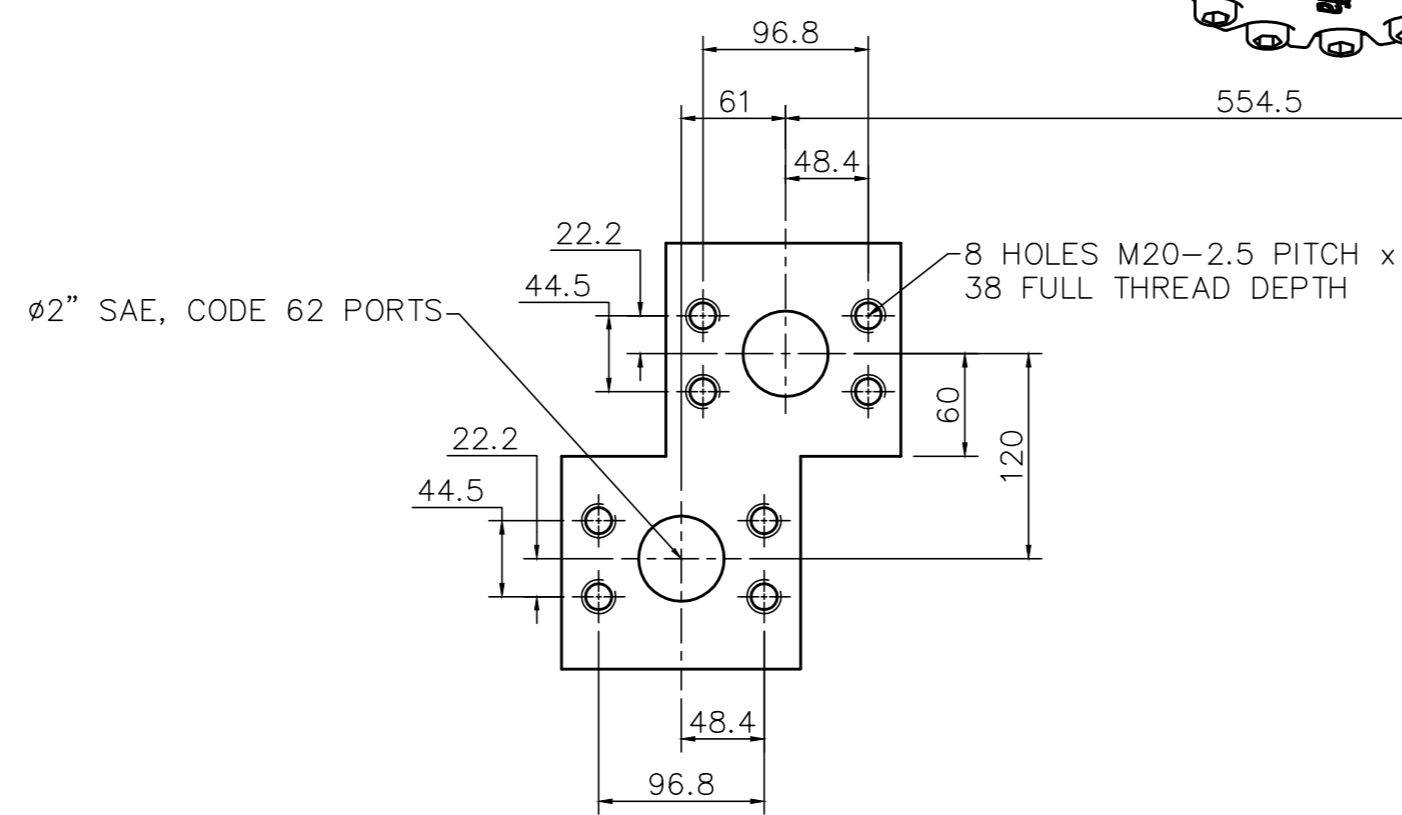
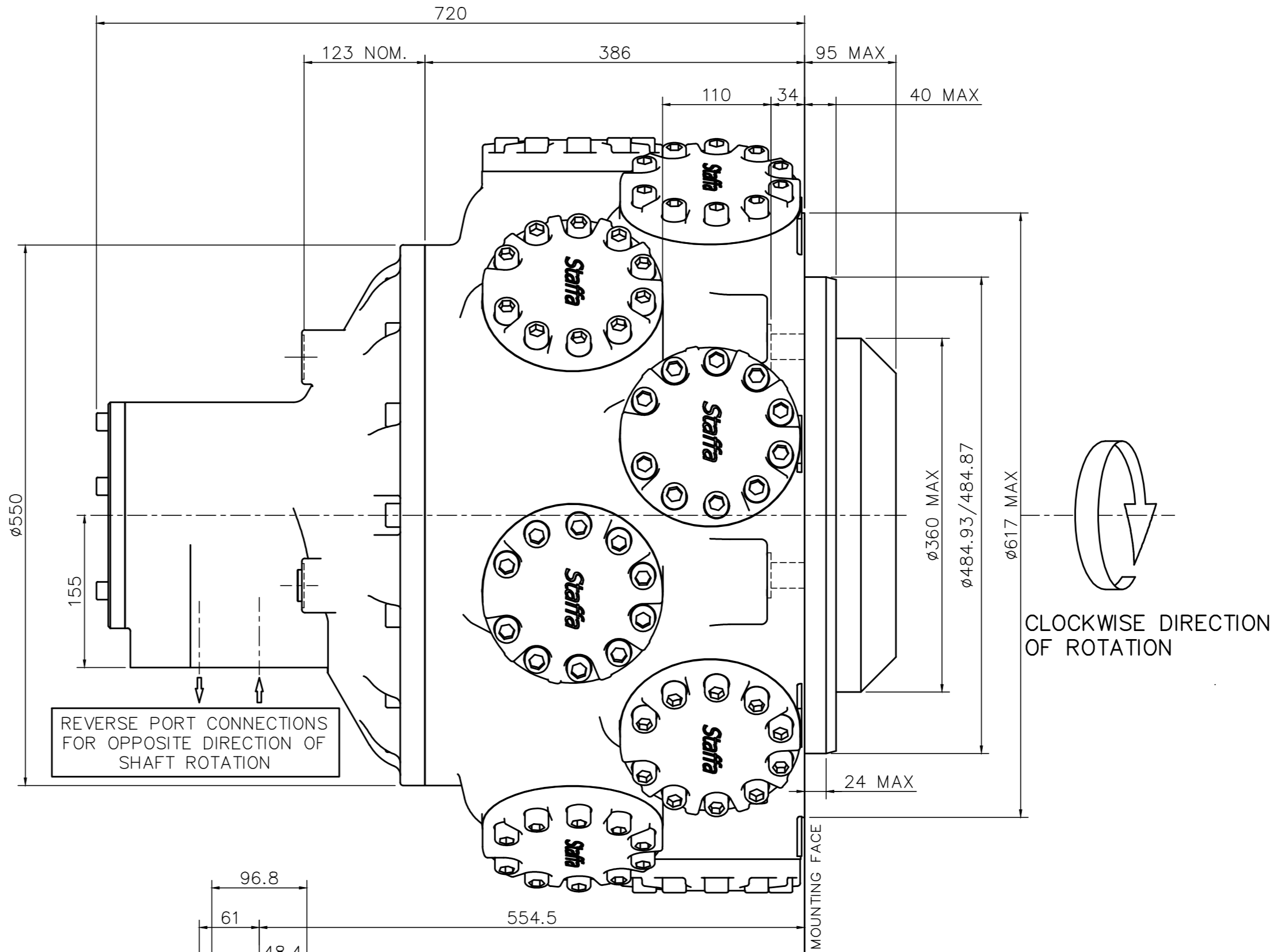
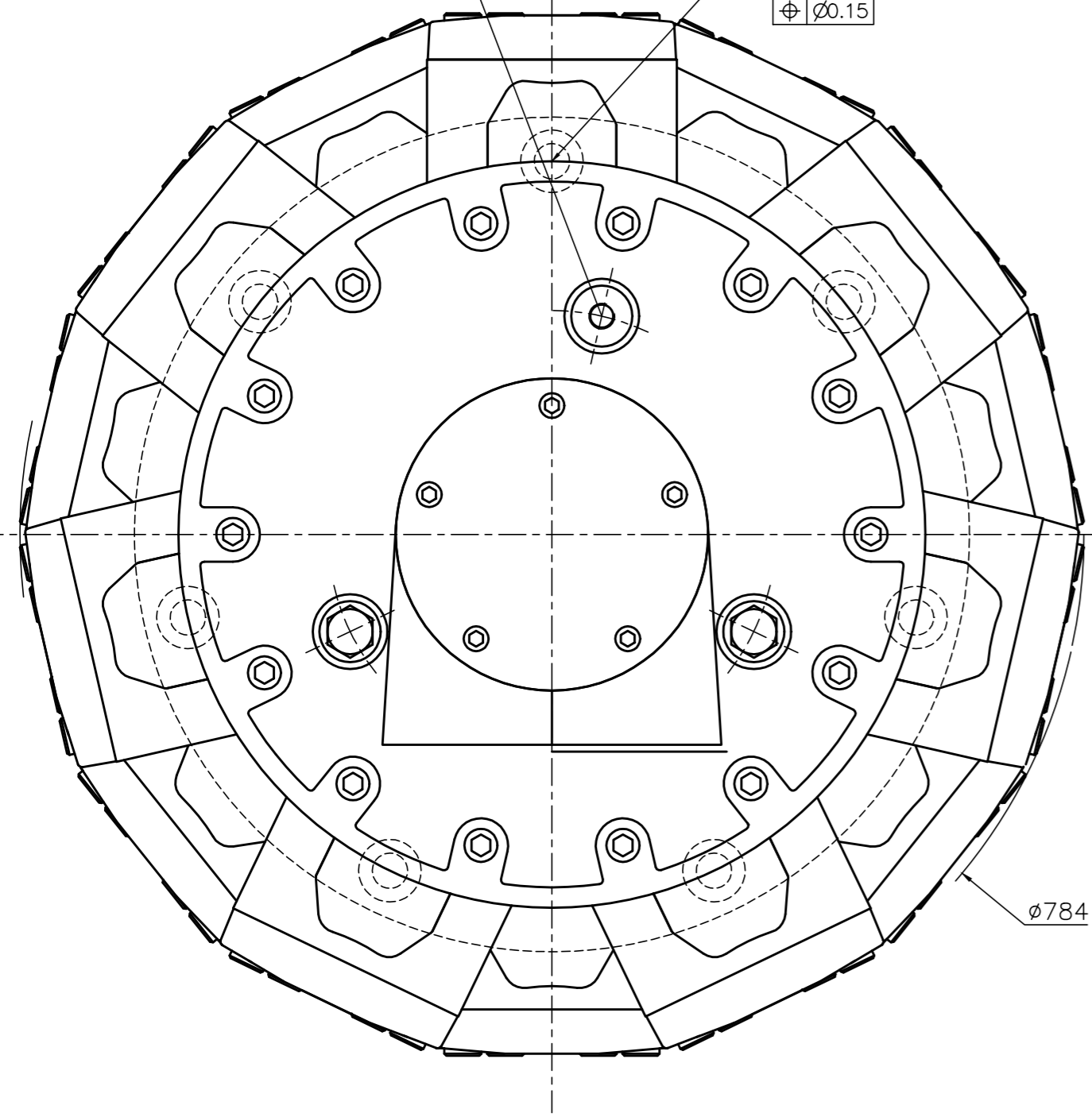


HMB700

EXAMPLE FOR MODEL CODE -
HMB700/Z/FM/40

3/4" BSP DRAIN SPOTFACED $\phi 45$
(CHOICE OF 3 POSITIONS) (2 NORMALLY PLUGGED)
NOTE: - ENSURE ON INSTALLATION THAT DRAIN IS
TAKEN FROM ABOVE MOTOR CENTRELINE.

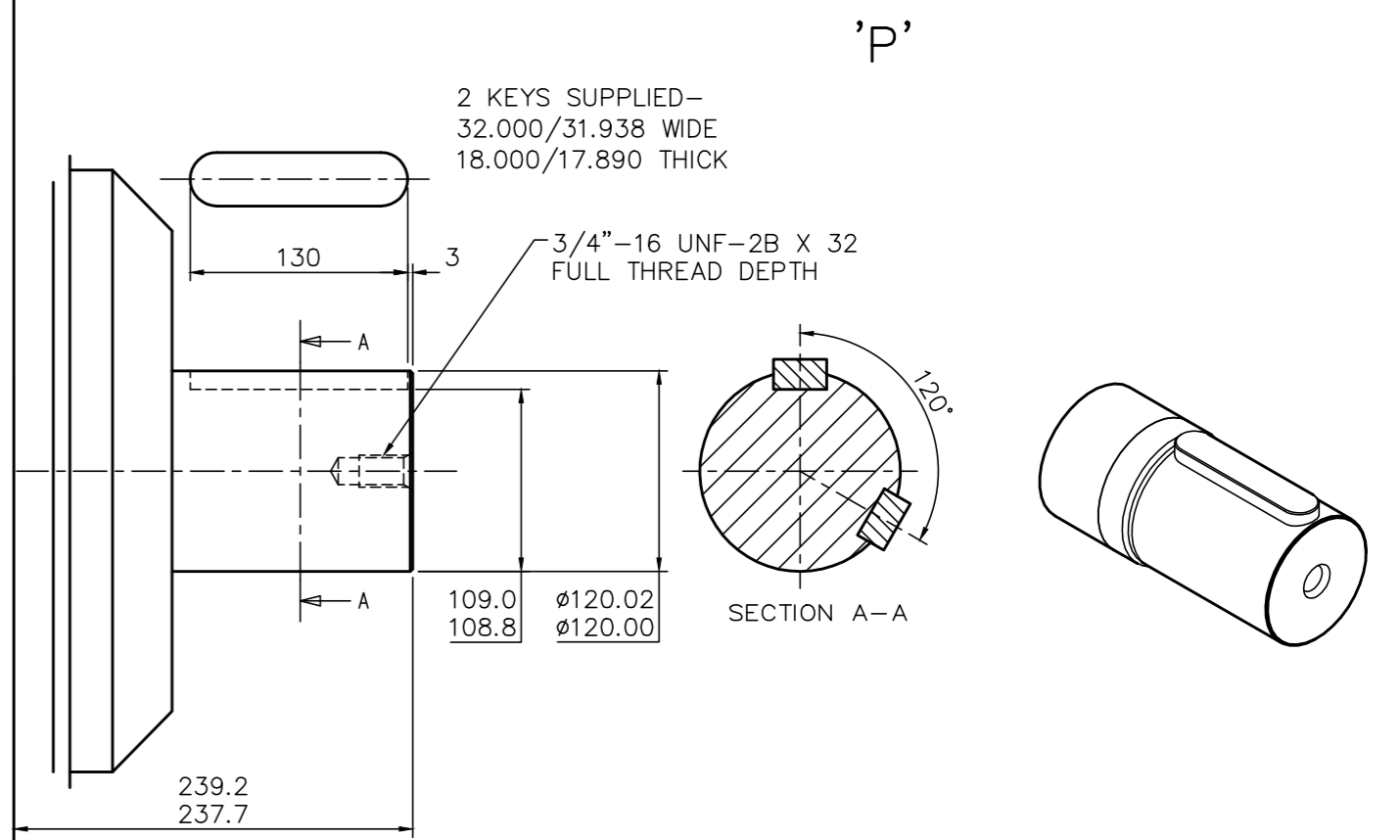
7 HOLES $\phi 26$, SPOTFACED $\phi 46$
EQUI-SPACED AS SHOWN ON
A [550] PCD
 $\phi 120.15$



SHAFTS

EXAMPLE FOR MODEL CODE -
HMB700/P/FM4/40

MOUNTING FACE



SPLINE DATA

'Z'
DIN 5480 W120 x 4 x 28 x 7h

