

Item	Rev.	Rev. Date	Rev. Description
1	1		Initial Issue
2	2		Change of dimensions
3	3		Change of dimensions
4	4		Change of dimensions
5	5		Change of dimensions
6	6		Change of dimensions
7	7		Change of dimensions
8	8		Change of dimensions
9	9		Change of dimensions
10	10		Change of dimensions
11	11		Change of dimensions
12	12		Change of dimensions
13	13		Change of dimensions
14	14		Change of dimensions
15	15		Change of dimensions
16	16		Change of dimensions
17	17		Change of dimensions
18	18		Change of dimensions
19	19		Change of dimensions
20	20		Change of dimensions
21	21		Change of dimensions
22	22		Change of dimensions
23	23		Change of dimensions
24	24		Change of dimensions
25	25		Change of dimensions
26	26		Change of dimensions
27	27		Change of dimensions
28	28		Change of dimensions
29	29		Change of dimensions
30	30		Change of dimensions
31	31		Change of dimensions
32	32		Change of dimensions
33	33		Change of dimensions
34	34		Change of dimensions
35	35		Change of dimensions
36	36		Change of dimensions
37	37		Change of dimensions
38	38		Change of dimensions
39	39		Change of dimensions
40	40		Change of dimensions
41	41		Change of dimensions
42	42		Change of dimensions
43	43		Change of dimensions
44	44		Change of dimensions
45	45		Change of dimensions
46	46		Change of dimensions
47	47		Change of dimensions
48	48		Change of dimensions
49	49		Change of dimensions
50	50		Change of dimensions
51	51		Change of dimensions
52	52		Change of dimensions
53	53		Change of dimensions
54	54		Change of dimensions
55	55		Change of dimensions
56	56		Change of dimensions
57	57		Change of dimensions
58	58		Change of dimensions
59	59		Change of dimensions
60	60		Change of dimensions
61	61		Change of dimensions
62	62		Change of dimensions
63	63		Change of dimensions
64	64		Change of dimensions
65	65		Change of dimensions
66	66		Change of dimensions
67	67		Change of dimensions
68	68		Change of dimensions
69	69		Change of dimensions
70	70		Change of dimensions
71	71		Change of dimensions
72	72		Change of dimensions
73	73		Change of dimensions
74	74		Change of dimensions
75	75		Change of dimensions
76	76		Change of dimensions
77	77		Change of dimensions
78	78		Change of dimensions
79	79		Change of dimensions
80	80		Change of dimensions
81	81		Change of dimensions
82	82		Change of dimensions
83	83		Change of dimensions
84	84		Change of dimensions
85	85		Change of dimensions
86	86		Change of dimensions
87	87		Change of dimensions
88	88		Change of dimensions
89	89		Change of dimensions
90	90		Change of dimensions
91	91		Change of dimensions
92	92		Change of dimensions
93	93		Change of dimensions
94	94		Change of dimensions
95	95		Change of dimensions
96	96		Change of dimensions
97	97		Change of dimensions
98	98		Change of dimensions
99	99		Change of dimensions
100	100		Change of dimensions

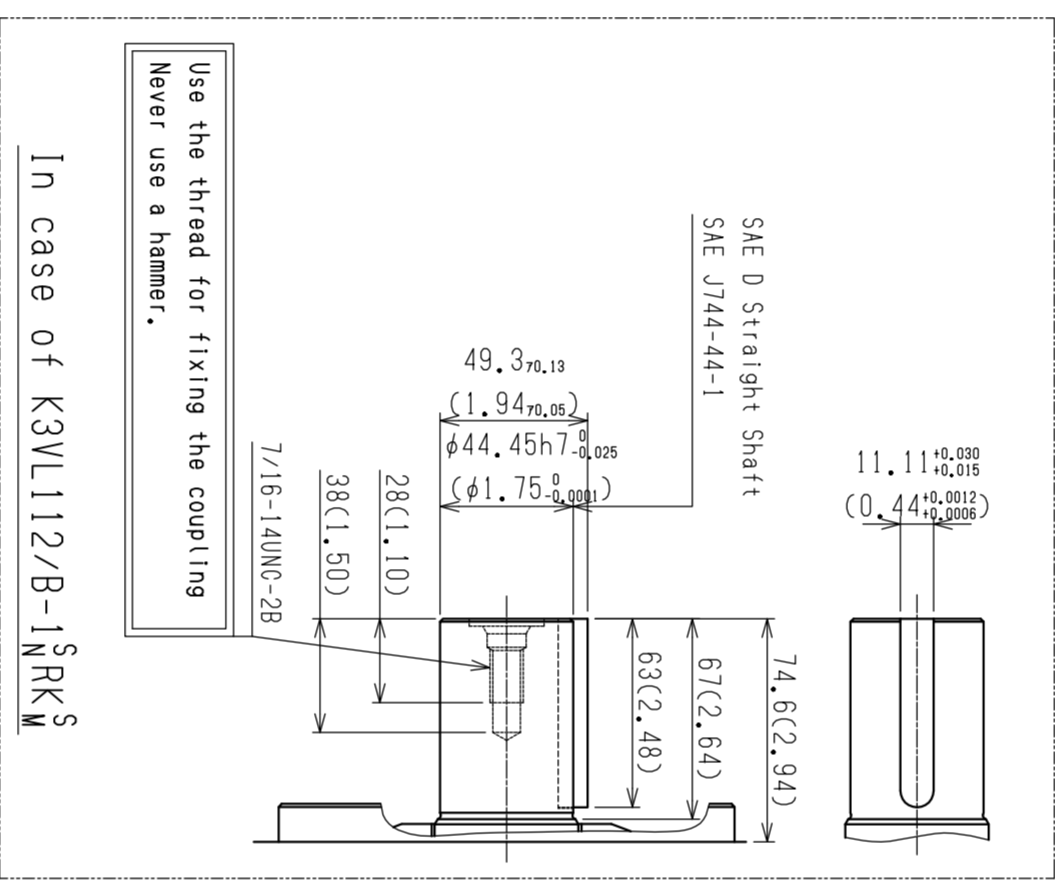
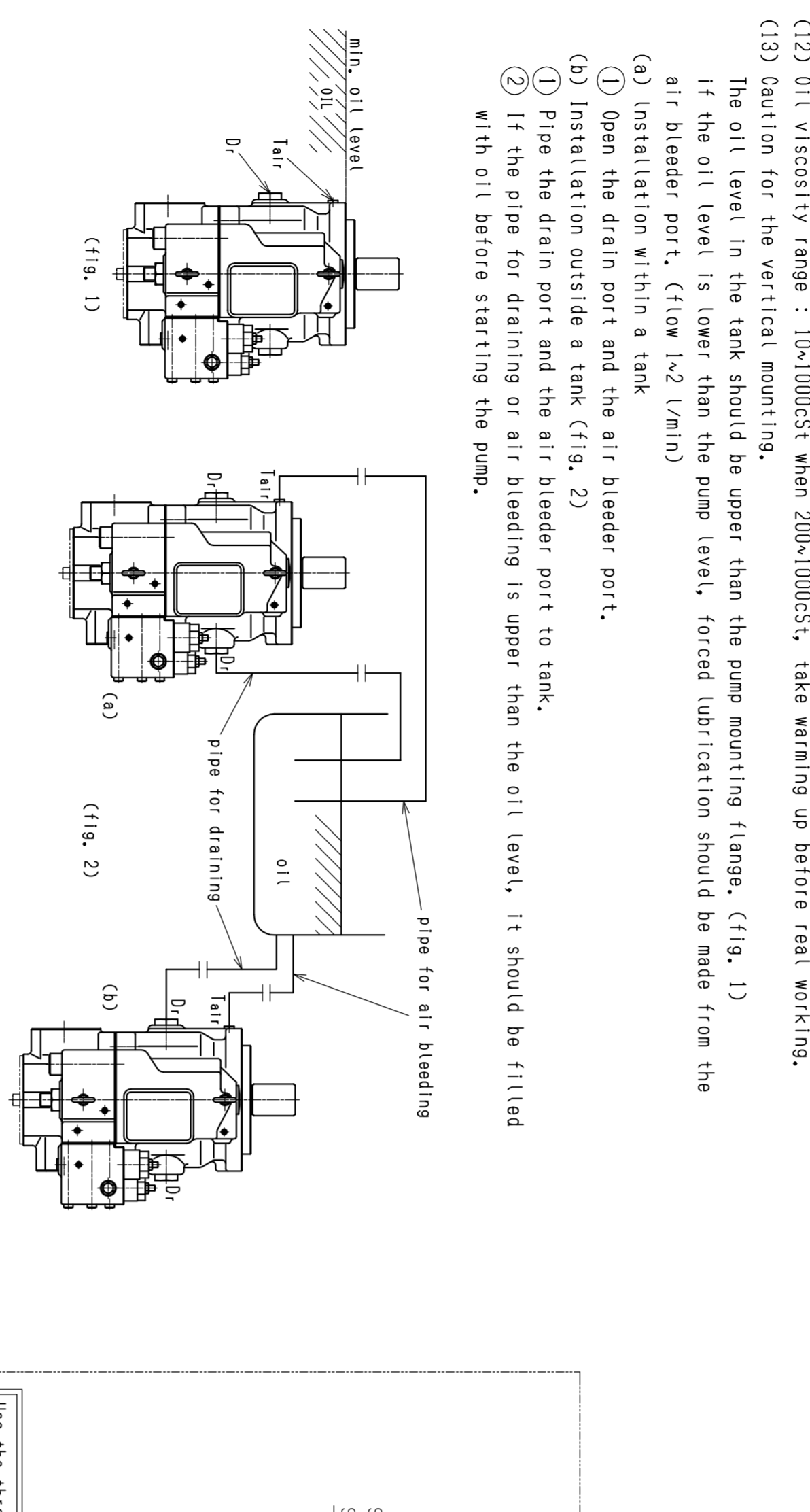
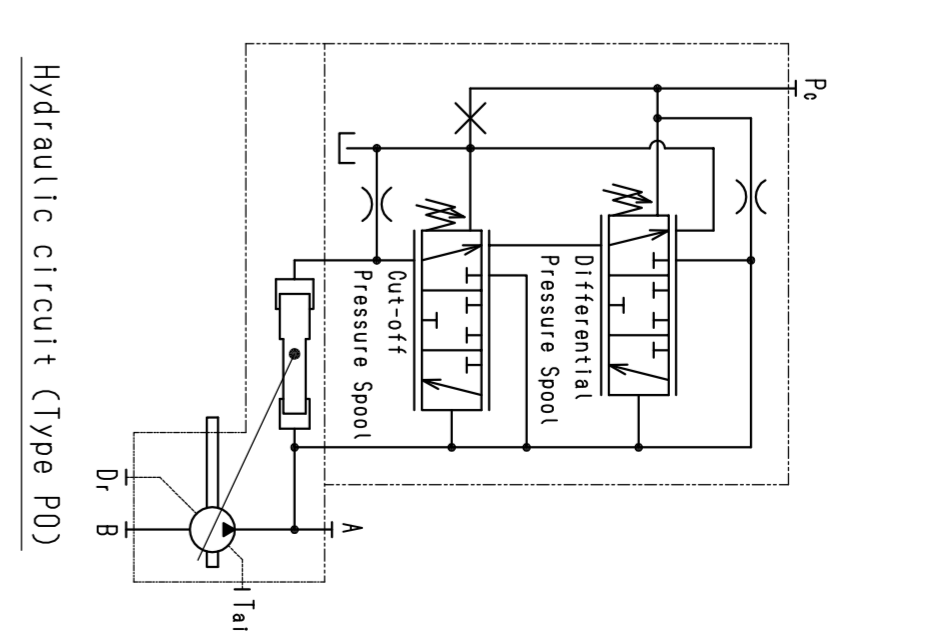
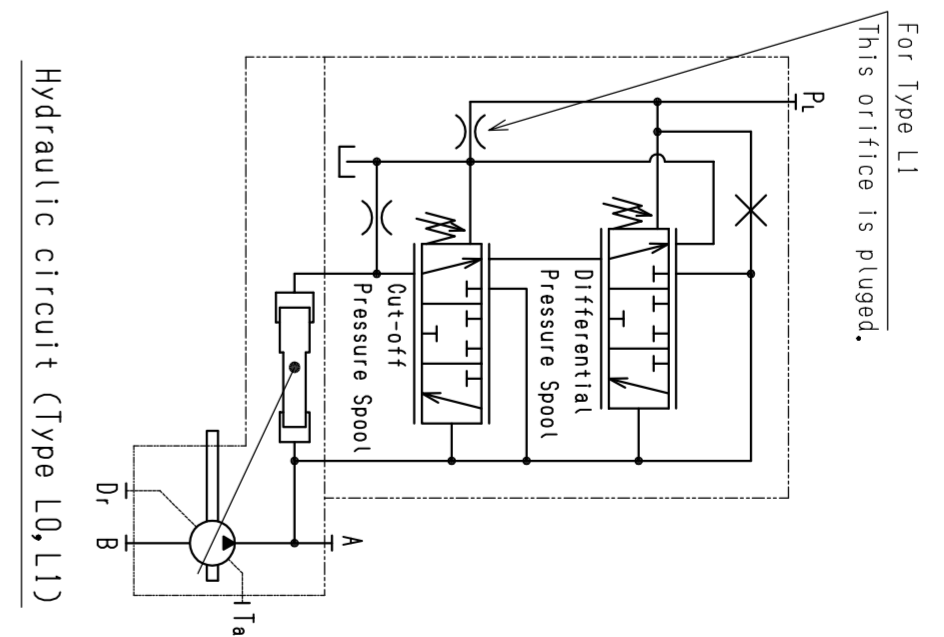
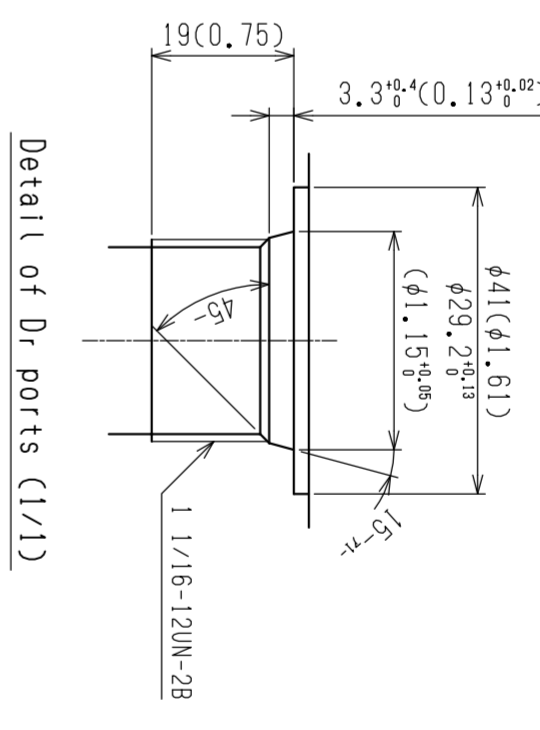
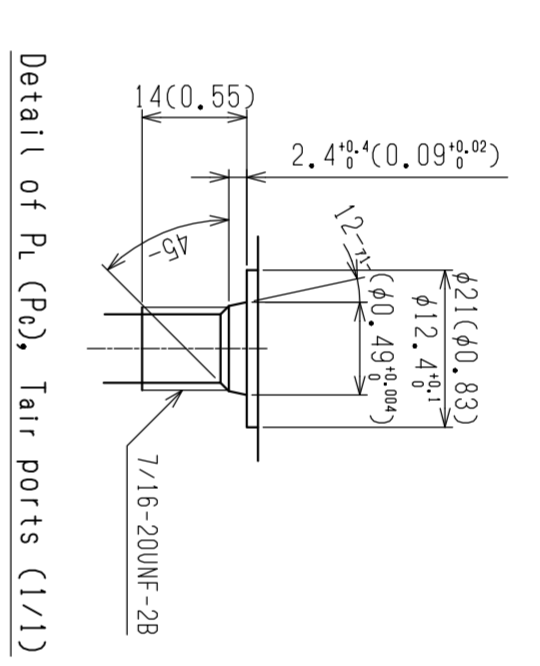
Operating specifications

Displacement	cm ³ (in ³)	112 (6.83)
Max. self priming speed	min ⁻¹	2200 (clockwise viewed from shaft end)
Rated pressure	bar (psi)	320 (4600)
Peak pressure	bar (psi)	350 (5000)
Pump model name	K3WL112/B-1NRSS-10	

Port name	Port size	On delivery	Tightening torque (lb/ft)
A	Delivery port	SAE J518C High pressure (code 62) 1 1/4"	157 (115.8)
B	Suction port	SAE J518C Std. pressure (code 61) 2 1/2"	98 (72.3)
D _r	Drain port	SAE J1926/1 Straight thread O-Ring boss 3/4" 0. D Tube 1 1/16-12UNF-2B	187 (123.2)
P _L	Load sensing port (Type L0, L1)	SAE J1926/1 Straight thread O-Ring boss 1/2" 0. D Tube 7/16-20UNF-2B	12 (8.8)
P _e	Pressure control port (Type P0)	SAE J1926/1 Straight thread O-Ring boss 1/2" 0. D Tube 7/16-20UNF-2B	12 (8.8)
Tair	Air bleeder port		

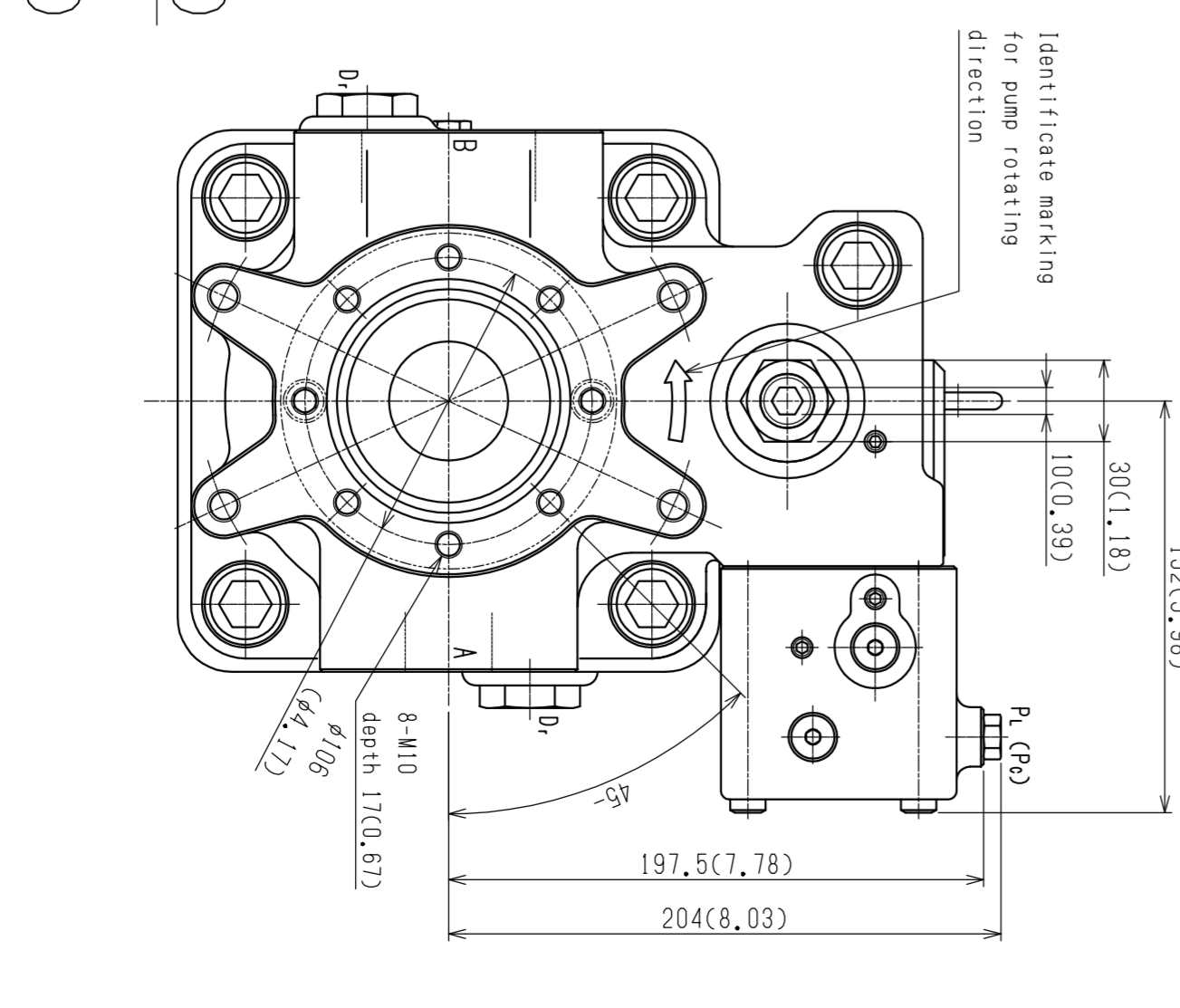
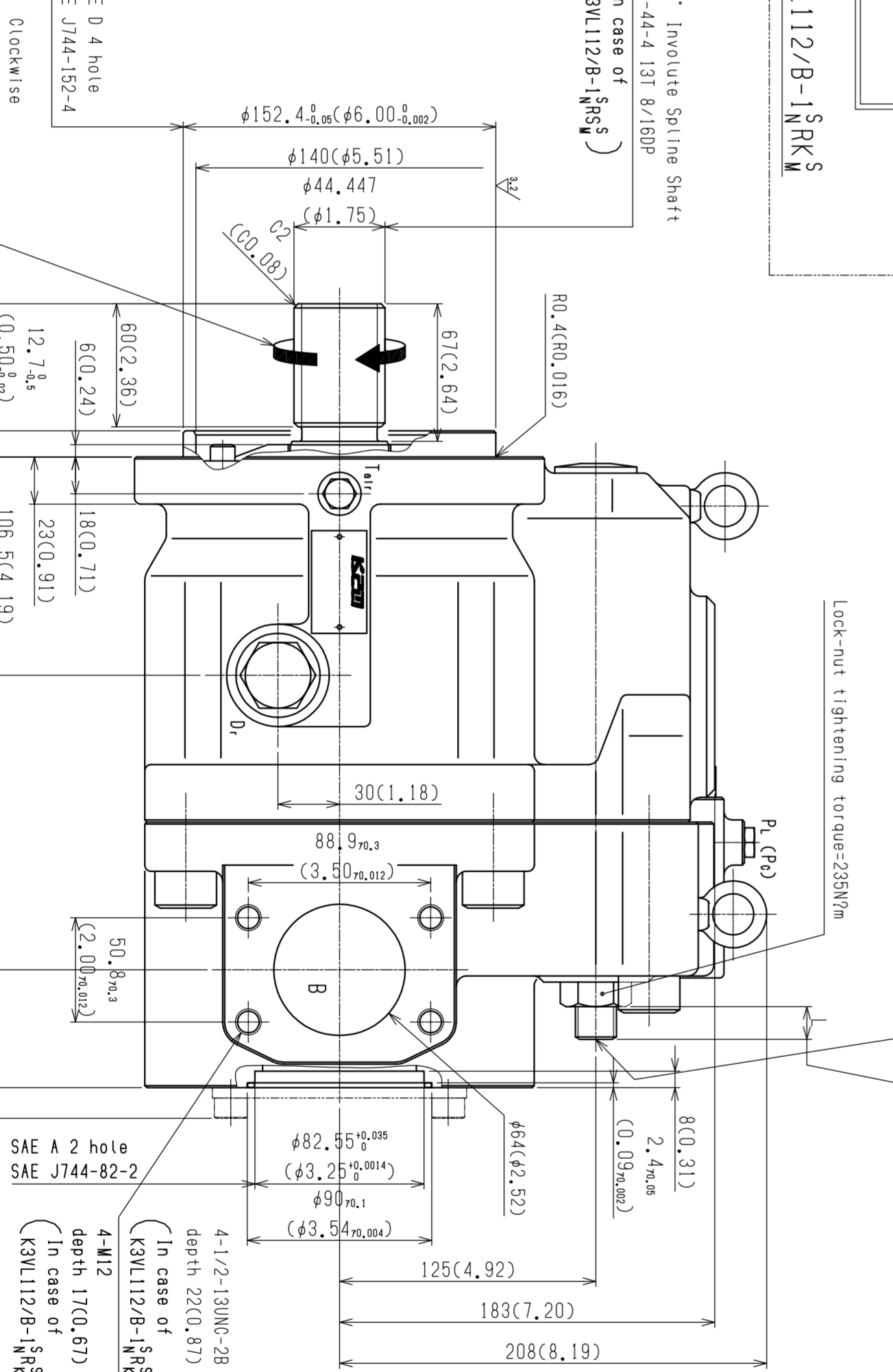
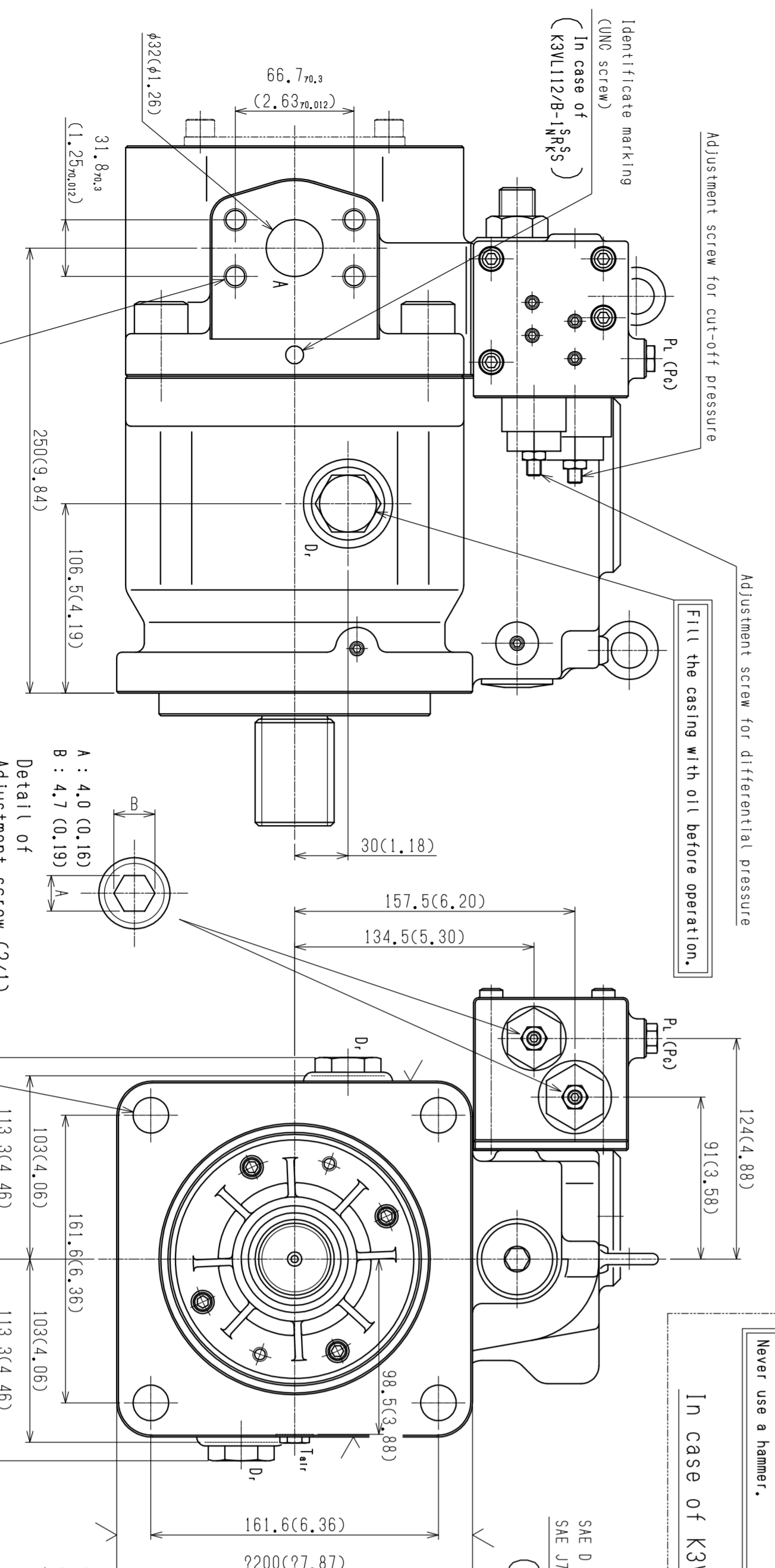
Notes on mounting and operation

- The pump shaft and flange surfaces should be cleaned. Remove an anti-rust material.
- Do not apply any form of axial loading to the pump shaft.
- The uppermost drain port should be used and the drain piping should be so connected as to keep the casing filled with oil.
- Keep the casing pressure below 1 bar (14 psi) normally, and below 4 bar (58 psi) at its peak.
- Make sure the drain piping led into the oil tank is kept below the surface of the oil (to prevent airtation).
- Make sure the suction pressure in the suction flange is kept above 0 bar (0 psi) normally.
- Mineral antiwear type hydraulic oil should be used.
- For satisfactory service life of the pump in application, the operating fluid should be continuously filtered to a minimum cleanliness level of NAS1638 class 9 or 18/15 to ISO/DIS 4406.
- Provide a 150 mesh (100µm) strainer in the suction line.
- Install a 10µm filter in the return line.
- Allowable oil temperature range : -20~95°C.
- Oil viscosity range : 10~100cSt when 200~1000cSt, take warming up before real working.
- Caution for the vertical mounting.
The oil level in the tank should be upper than the pump mounting flange. (Fig. 1)
If the oil level is lower than the pump level, forced lubrication should be made from the air bleeder port. (flow 1~2 l/min)
- Installation within a tank
① Open the drain port and the air bleeder port.
② Installation outside a tank (Fig. 2)
① Pipe the drain port and the air bleeder port to tank.
② If the pipe for draining or air bleeding is upper than the oil level, it should be filled with oil before starting the pump.



Pump model name	Adjustable range of max. displacement	L
K3WL112/B	56~112	3.8~16

Max. flow adjusting screw
Approx. displacement change per
revolution of screw : 11.5cm³



Identificaiton marking (UNC screw)
(In case of K3WL112/B-1NRSS)

Adjustment screw for cut-off pressure

Adjustment screw for differential pressure

Fill the casing with oil before operation.

Detail of Adjustment screw (2/1)

A : 4.0 (0.16)
B : 4.7 (0.19)

Recommended Tightening torque : 216~235N/m for M16 of strength class 10.9 of JIS Recommend to use washers

4-φ20 (φ0.79) Through

4-φ20 (φ0.79) Through

Recommended Tightening torque : 216~235N/m for M16 of strength class 10.9 of JIS Recommend to use washers

DATE	CHK	APP	REV	DESCRIPTION
2005.11.11			1	INITIAL ISSUE
2006.04.11			2	CHANGE OF DIMENSIONS
2006.04.11			3	CHANGE OF DIMENSIONS
2006.04.11			4	CHANGE OF DIMENSIONS
2006.04.11			5	CHANGE OF DIMENSIONS
2006.04.11			6	CHANGE OF DIMENSIONS
2006.04.11			7	CHANGE OF DIMENSIONS
2006.04.11			8	CHANGE OF DIMENSIONS
2006.04.11			9	CHANGE OF DIMENSIONS
2006.04.11			10	CHANGE OF DIMENSIONS
2006.04.11			11	CHANGE OF DIMENSIONS
2006.04.11			12	CHANGE OF DIMENSIONS
2006.04.11			13	CHANGE OF DIMENSIONS
2006.04.11			14	CHANGE OF DIMENSIONS
2006.04.11			15	CHANGE OF DIMENSIONS
2006.04.11			16	CHANGE OF DIMENSIONS
2006.04.11			17	CHANGE OF DIMENSIONS
2006.04.11			18	CHANGE OF DIMENSIONS
2006.04.11			19	CHANGE OF DIMENSIONS
2006.04.11			20	CHANGE OF DIMENSIONS
2006.04.11			21	CHANGE OF DIMENSIONS
2006.04.11			22	CHANGE OF DIMENSIONS
2006.04.11			23	CHANGE OF DIMENSIONS
2006.04.11			24	CHANGE OF DIMENSIONS
2006.04.11			25	CHANGE OF DIMENSIONS
2006.04.11			26	CHANGE OF DIMENSIONS
2006.04.11			27	CHANGE OF DIMENSIONS
2006.04.11			28	CHANGE OF DIMENSIONS
2006.04.11			29	CHANGE OF DIMENSIONS
2006.04.11			30	CHANGE OF DIMENSIONS
2006.04.11			31	CHANGE OF DIMENSIONS
2006.04.11			32	CHANGE OF DIMENSIONS
2006.04.11			33	CHANGE OF DIMENSIONS
2006.04.11			34	CHANGE OF DIMENSIONS
2006.04.11			35	CHANGE OF DIMENSIONS
2006.04.11			36	CHANGE OF DIMENSIONS
2006.04.11			37	CHANGE OF DIMENSIONS
2006.04.11			38	CHANGE OF DIMENSIONS
2006.04.11			39	CHANGE OF DIMENSIONS
2006.04.11			40	CHANGE OF DIMENSIONS
2006.04.11			41	CHANGE OF DIMENSIONS
2006.04.11			42	CHANGE OF DIMENSIONS
2006.04.11			43	CHANGE OF DIMENSIONS
2006.04.11			44	CHANGE OF DIMENSIONS
2006.04.11			45	CHANGE OF DIMENSIONS
2006.04.11			46	CHANGE OF DIMENSIONS
2006.04.11			47	CHANGE OF DIMENSIONS
2006.04.11			48	CHANGE OF DIMENSIONS
2006.04.11			49	CHANGE OF DIMENSIONS
2006.04.11			50	CHANGE OF DIMENSIONS
2006.04.11			51	CHANGE OF DIMENSIONS
2006.04.11			52	CHANGE OF DIMENSIONS
2006.04.11			53	CHANGE OF DIMENSIONS
2006.04.11			54	CHANGE OF DIMENSIONS
2006.04.11			55	CHANGE OF DIMENSIONS
2006.04.11			56	CHANGE OF DIMENSIONS
2006.04.11			57	CHANGE OF DIMENSIONS
2006.04.11			58	CHANGE OF DIMENSIONS
2006.04.11			59	CHANGE OF DIMENSIONS
2006.04.11			60	CHANGE OF DIMENSIONS
2006.04.11			61	CHANGE OF DIMENSIONS
2006.04.11			62	CHANGE OF DIMENSIONS
2006.04.11			63	CHANGE OF DIMENSIONS
2006.04.11			64	CHANGE OF DIMENSIONS
2006.04.11			65	CHANGE OF DIMENSIONS
2006.04.11			66	CHANGE OF DIMENSIONS
2006.04.11			67	CHANGE OF DIMENSIONS
2006.04.11			68	CHANGE OF DIMENSIONS
2006.04.11			69	CHANGE OF DIMENSIONS
2006.04.11			70	CHANGE OF DIMENSIONS
2006.04.11			71	CHANGE OF DIMENSIONS
2006.04.11			72	CHANGE OF DIMENSIONS
2006.04.11			73	CHANGE OF DIMENSIONS
2006.04.11			74	CHANGE OF DIMENSIONS
2006.04.11			75	CHANGE OF DIMENSIONS
2006.04.11			76	CHANGE OF DIMENSIONS
2006.04.11			77	CHANGE OF DIMENSIONS
2006.04.11			78	CHANGE OF DIMENSIONS
2006.04.11			79	CHANGE OF DIMENSIONS
2006.04.11			80	CHANGE OF DIMENSIONS
2006.04.11			81	CHANGE OF DIMENSIONS
2006.04.11			82	CHANGE OF DIMENSIONS
2006.04.11			83	CHANGE OF DIMENSIONS
2006.04.11			84	CHANGE OF DIMENSIONS
2006.04.11			85	CHANGE OF DIMENSIONS
2006.04.11			86	CHANGE OF DIMENSIONS
2006.04.11			87	CHANGE OF DIMENSIONS
2006.04.11			88	CHANGE OF DIMENSIONS
2006.04.11			89	CHANGE OF DIMENSIONS
2006.04.11			90	CHANGE OF DIMENSIONS
2006.04.11			91	CHANGE OF DIMENSIONS
2006.04.11			92	CHANGE OF DIMENSIONS
2006.04.11			93	CHANGE OF DIMENSIONS
2006.04.11			94	CHANGE OF DIMENSIONS
2006.04.11			95	CHANGE OF DIMENSIONS
2006.04.11			96	CHANGE OF DIMENSIONS
2006.04.11			97	CHANGE OF DIMENSIONS
2006.04.11			98	CHANGE OF DIMENSIONS
2006.04.11			99	CHANGE OF DIMENSIONS
2006.04.11			100	CHANGE OF DIMENSIONS

INSTALLATION DIMENSIONS

DELIVERY

DATE	CHK	APP	REV	DESCRIPTION
2005.11.11			1	INITIAL ISSUE
2006.04.11			2	CHANGE OF DIMENSIONS
2006.04.11			3	CHANGE OF DIMENSIONS
2006.04.11			4	CHANGE OF DIMENSIONS
2006.04.11			5	CHANGE OF DIMENSIONS
2006.04.11			6	CHANGE OF DIMENSIONS
2006.04.11			7	CHANGE OF DIMENSIONS
2006.04.11			8	CHANGE OF DIMENSIONS
2006.04.11			9	CHANGE OF DIMENSIONS
2006.04.11			10	CHANGE OF DIMENSIONS
2006.04.11			11	CHANGE OF DIMENSIONS
2006.04.11			12	CHANGE OF DIMENSIONS
2006.04.11			13	CHANGE OF DIMENSIONS
2006.04.11			14	CHANGE OF DIMENSIONS
2006.04.11			15	CHANGE OF DIMENSIONS
2006.04.11			16	CHANGE OF DIMENSIONS
2006.04.11				